



Technical Regulations V15.8

This is an important document. All Participants should read these Regulations before completing the relevant entry form. Please contact Competent Motorsport if you have any questions in relation to these Regulations.

© 2018 Competent Motorsport, LLC

Reproduction in any form without the permission of the copyright owner is strictly prohibited.

Certain information contained herein and the 911 silhouette are copyrights or registered trademarks of Dr. Ing.h.c F. Porsche Aktiengesellschaft and / or Porsche Motorsports North American and are used by permission.

The Pirelli name and trademark are used by permission of Pirelli Tires.



1. Introduction.....	3
2. Concept.....	4
3. Eligible Cars for the 2018 Season	6
4. Driver Safety Equipment.....	7
5. Technical Inspection/Mandatory Safety Requirements	9
6. Eligible Engines & ECU's	17
7. Drive Train.....	19
8. Suspension.....	21
9. Dash and Data Collection.....	25
10. Fuel.....	26
11. Windows	26
12. Brakes and Brake Pads	27
13. Weight.....	27
14. Wheels	28
15. Tires	28
16. Miscellaneous	29
17. APPENDIX 1 - Equivalence Formula	31
18. APPENDIX 2 - Mandatory Sticker Placement	32
19. APPENDIX 3 - Minimum Ground Clearance	33
20. APPENDIX 4 - Lower Control Arm Components.....	35
21. APPENDIX 5 - Cayman GT4 Clubsport MR Update	36
22. APPENDIX 6 - Diamond & Platinum Class Differential Drawing	39
23. APPENDIX 7- OE Recaro Seat Padding.....	40
24. APPENDIX 8 - Approved Ballast location	41
25. APPENDIX 9 - Series Driver and Team Overall Patches.....	42
26. APPENDIX 10 - Radio Frequencies.....	43



1. Introduction

Competent Motorsport, LLC is proud to sanction the Porsche Pirelli Trophy West USA racing series.

The Porsche GT3 Cup Trophy cars and Porsche Cayman GT4 Clubsport Trophy cars are featured in some of the most exciting racing around the world. Using these iconic cars as platforms, this series is aimed at amateur and semi-professional racers – drivers who do not make their living in motorsports – with races organized in conjunction with the events hosted by the Sports Car Club of America, the National Auto Sport Association, and others series in the United States of America.

The series enjoys technical and parts support from Porsche Motorsport North America and is proudly sponsored by Pirelli Tires.

This Series and these competitions are sanctioned by Competent Motorsport, LLC under its Technical and General & Sporting Regulations.

In order to provide for the orderly conduct of these competitions, these Technical Regulations are provided, and in conjunction with the General & Sporting Regulations shall comprise the Regulations for the conduct of the Pirelli GT3 Cup Trophy USA series. All participants in these competitions and any part of this Series must be fully aware of and are subject to all these regulations and shall be bound by them, as they may be amended, supplemented or superseded from time to time, and all participants are responsible for compliance therewith.



2. Concept

One Make Racing using stock (OE), as Delivered from PMNA /Porsche AG, Porsche GT3 Cup Trophy USA and Cayman GT4 Clubsport Trophy USA cars.

The Series is designed to keep competition fair and low cost by minimizing the possible changes to the cars as delivered. Therefore, any technical action by competitors in contravention with these principals is subject to penalty.

- 2.1 ***All cars must be original Porsche 991.2, 991.1, 997.2 GT3 Cup Trophy and Cayman GT4 Clubsport Trophy /MR cars as delivered by Porsche and the VIN number must reflect this. No aftermarket conversions to Cup cars are permitted.***
- 2.2 Except where specifically permitted herein, there are no changes permitted to the cars from their original specifications. There must be no welding, cutting, machining, drilling, acid dipping or other chemical treatment of the car to change its mechanical properties. Any change to the car that is not specifically permitted in the Technical Regulations is expressly prohibited.
- 2.3 Except where specified, **all parts** must be stock, original equipment (OE) and in the original location as delivered. This means that they must be the Porsche designated parts that were as the car was delivered and be listed in the Porsche parts catalog for that car for that model year. For example: Water and oil radiators, ducting, bodywork, suspension components, wheels, driveline, engine and components etc.

Transposition of parts from one model year to another is not permitted except as specified herein. Modification of any supplied part, modifying their mounting or mounting position is prohibited.

- 2.3.1 It is permitted to carry out work on a vehicle which is part of the regular maintenance of the vehicle or which serves for the replacement of parts that have become defective as a result of wear or accident.

The utilization of components manufactured by Porsche for other vehicles is prohibited. Standard fasteners such as nuts, bolts, washers, circlips, spring washers, split pins, etc., may only be replaced with original Porsche spare OE parts. In case of threaded fasteners, the type, size and pitch of the thread must not be changed.



- 2.4 If, in the sole judgment of the Technical Director, the cars do not meet the spirit or intent of these Technical Regulations, he may order them to be corrected to be in compliance prior to any further participation in the Event.

Any waiver of any technical requirement by the Technical Director shall specify the length of time the waiver shall be in force and shall not constitute an ongoing waiver, or a waiver for any other cars for the same issue.

- 2.5 Limits of Adjustments: Except as may be specified or permitted in these Technical Regulations, the limit of any adjustment on the car shall be the range of adjustment permitted by the stock parts using the stock fixation points as supplied by the manufacturer. No additional adjustment points within or outside the range may be created by altering parts from their as manufactured configuration.
- 2.6 It is the responsibility of the participant to read, understand and comply with The Technical Regulations. Failure to do so will not provide any relief from The Technical Regulations. Competitors will be notified by Competent Motorsport, LLC. SR's and other means for Technical Regulation changes. Competitors are encouraged to enroll in the PMRSI bulletin program by contacting PMNA. The most current PMNA technical manual and parts catalogue (as found on PMRSI) are considered an appendix to this rule book, unless otherwise stated. Part numbers and best practices that pertain to a specific vehicle model, type and year will be referenced as part of the Technical Inspection process.



3. Eligible Cars for the 2018 Season

3.1 Cars shall be separated into classes

Diamond Class	Porsche 991.2 GT3 Cup Cars, Model Years 2017-2018
Platinum Class	Porsche 991.1 GT3 Cup Cars, Model Years 2013-2016
Gold Class	Porsche 997.2 GT3 Cup Cars, Model Years 2010 -2013
Silver Class	Porsche GT4 Clubsport MR Cars, Model Years 2017-2018
Bronze Class	Porsche GT4 Clubsport Cars with Trophy Kit, Model Years 2014-2016

3.2 All bodywork must remain stock OE and no alternate parts (except as provided for herein) are permitted. No unauthorized modifications are permitted to the bodywork.

3.3 Wings:

Diamond Class: Model years 2017-2018, Porsche GT3 Cup Cars (type 991.2)

Platinum Class: Model years 2013-2016, Porsche GT3 Cup Cars (type 991.1)

- OE wing and wing mounts must be used, and may NOT be altered in any way from their OE configuration. Nothing may be done to alter the position of the wing and wing mount in relation to the body of the car, from OE position.
- The Gurney Lip (wicker) Porsche part # (PMN.991.512.105.8A) is required for 991.2 and 991.1 cars. The Gurney/ wicker lip must be attached to the top rear of the rear wing without alteration.
- The position of the wing element may be changed within the OE adjustment range. No additional adjustments or mounting holes may be made.

Gold Class: Model years 2010-2013, Porsche GT3 Cup Cars (type 997.2)

- The gurney/ wicker lip, Porsche part # (99751210591), will be optional for Gold Cup cars. If used, it must be attached to the rear wing.
- No alteration is permitted to the gurney lip and it must be mounted on the top rear edge of the rear wing.
- The position of the wing element may be changed within the OE adjustment range. No additional adjustments or mounting holes may be made.

Silver Class: Model Years 2017-2018 Porsche Cayman GT4 Clubsport MR



- OE wing and wing mounts must be used, and may NOT be altered in any way from their OE configuration. Nothing may be done to alter the position of the wing and wing mount in relation to the body of the car, from OE position.
- Rear wing: "Adjustable" 1490mm x 280mm element with 18mm Gurney/wicker lip. part # (MTH512792)
- The position of the wing element may be changed within the OE adjustment range. No additional adjustments or mounting holes may be made.

Bronze Class: Model years 2014-2016 Porsche Cayman GT4 Clubsport with Trophy Kit

- OE wing and wing mounts must be used, neither may be altered in any way from their OE configuration. Nothing may be done to alter the position of the wing and wing mount in relation to the body of the car, from OE position
- Rear wing: "Fixed" 1256mm x 257mm element, part#
- (9815121658B) with 22mm Gurney/ wicker lip, part # (MTH 512850) .This Gurney /wicker mounts on top of the existing standard Gurney/ wicker lip.
- Trophy Kit front diffuser channel blockers are required.
- LH front diffuser channel blocker, part# (MTH504702), RH front diffuser channel blocker, part# (MTH504701)

3.4 Under extraordinary circumstances, a competitor may apply to the Race Director and Technical Director, who shall consult with the Series Director, Competent Motorsport, LLC, for permission to replace an irrevocably damaged chassis tub with another of equal specification or another car not currently entered in the event. Any decision regarding the approval or non-approval of any replacement/substitution is not subject to protest or appeal.

4. Driver Safety Equipment

Drivers must wear the following safety equipment while taking part in Pirelli GT3 Cup Trophy USA competition:

4.1 Drivers must be equipped with full-face helmets of recognized high quality which include a face shield to a standard below.

Helmets:

- FIA 8860-2004, FIA 8860-2010, FIA 8859-2015 are permitted.
- Snell SA2010, SAH2010, FIA 8858-2010, SA2015, SAH2015 are permitted.



- SFI Foundation SFI 31.1, SFI 31.1A, SFI 31.2A (All expire December 31,2018) are permitted.
 - Any exposed hair must be completely covered by fire-resistant clothing.
 - Any damaged helmets may be retained by the series and forwarder to the certifying organization.
 - Modification of helmets is prohibited (drilling of holes, etc.)
- 4.1.1 Drivers must have the “Eject Helmet Removal” kit, the Stand 21 “Lid Lifter Balaclava” or the ROUX helmet removal system as installed by the manufacture, in their helmets.
- 4.2 All drivers must wear overalls, gloves, underwear, balaclava, socks and shoes homologated to the FIA 8856-2000 or SFI 3.2A/5 standard, required.
- Regardless of the number of layers of a suit, fire retardant NOMEX® or Carbon-X underwear is mandatory.
- 4.3 All racers must use a Head and Neck Restraint (HANS) meeting standards of SFI 38.1, FIA 8858 HNR, FIA 8858-2002, FIA 8858-2010.
- 4.3.1 All drivers must wear an approved Head and Neck Restraint (HANS) device during all phases of the Event. Drivers are strongly recommended to use helmets with tether-anchorage fitted by the manufacturer as original equipment. These helmets are identified by a glossy silver holographic FIA label. It is also strongly recommended to use homologated tethers, identified by a FIA 8858 label.
- 4.3.2 Sternum straps are not allowed for use with the HANS due to possible interference issues. HANS-specific two-inch hybrid shoulder straps must be used in conjunction with this system providing they meet harness certifications from FIA, SFI 16.1, or SFI 16.5.
- 4.3.3 Any HANS device must have a Silver and Blue SFI 38.1 Sticker and/or a Silver and Black FIA 8858-2002/ 2010 sticker. The SFI sticker is punched with month and year.
- 4.3.4 Head and Neck Restraint Devices which only carry a Black FIA 8858-2002/ 2010 sticker (no SFI sticker) must have the tethers replaced five (5) years after the date of manufacturer.
- 4.3.5 Head and Neck Restraint Devices which are certified to SFI Spec. 38.1 must be inspected and re-certified every five (5) years, effective January 1, 2012. The device must be sent back to the Original Manufacturer for inspection after five (5) years from the date of manufacture punched out on the label. When a device is determined by the original manufacturer to



be acceptable for continued use, a new SFI 38.1 conformance label marked with the inspection date will be affixed and the device will be valid for use for another five (5) years from that date.

- 4.3.6 Any head and neck restraint system must be inspected after a serious incident. If any cracking, delaminating or elongation has occurred, the unit must be replaced.
- 4.3.7 Devices that meet or claim to meet SFI or FIA specifications but do not actually carry an SFI or FIA certification sticker are not approved.
- 4.3.8 Evaporative-loss Freon cool suits are prohibited.
- 4.3.9 Drivers' complete safety equipment must be presented at Technical Inspection for inspection by Competent Motorsport's technical department.
- 4.3.10 Driver suit and Team uniform Series patches locations. see Appendix 9

5. Technical Inspection/Mandatory Safety Requirements

Competitors are obliged to present their cars for Technical Inspection at the request of the series Technical officials, at any time during the event. Failure to do so may result in penalties up to and including exclusion.

Each entered car must be inspected and approved by the Technical Director or their delegated assistant(s) before it will be allowed to participate in competition or qualifying.

No expressed or implied warranty of safety shall result from this inspection or approval. It is at all times solely the responsibility of the Entrant to have their car free from mechanical defects and in safe racing condition.

Cars damaged or altered after they have been approved at inspection are subject to re-inspection and approval. Competent Motorsport, LLC officials will make the final decision on the safety and eligibility of an accident-damaged vehicle.

Major body components must be maintained in normal position throughout the competition. Questionable cars are subject to approval by the Technical Director.

Cars shall present a neat, clean and professional appearance.

5.1 Technical Inspection (Scrutineering)



5.1.1 Competent Motorsport, LLC at its sole discretion, retains the right to impound any car for Technical Inspection at any point in the Event and in case of doubt, may retain any car after the Event until such matters have been resolved. Such Technical Inspection may include the disassembly of various parts of the car, including the engine. Competitors accept that in order to complete such inspection, the mandatory seals may be broken and it is the sole responsibility of the competitor to have any broken seals replaced prior to further competition. Failure to comply may result in Exclusion.

Competent Motorsport may reject, at its sole discretion, any system that either does not meet the requirements, or appears to be defective or inappropriate in any way. No warranty of safety, express or implied, shall result from inspection or approval of any system by Competent Motorsport, LLC.

5.1.2 The timing, location, method and type of car inspection, and the number of vehicles to be inspected at any Event will be determined by the Technical Director.

5.1.3 When instructed by the officials to go to the inspection (Impound) area, cars must proceed directly and without delay, with a team representative. A car not driven directly and immediately to Impound is subject to penalty. No Data downloads or tire pressure checks allowed in pit lane. The car may not be touched by the team representative(s) until directed by a series Technical official.

5.1.3.1 A team representative(s) must be present at Impound to be informed of any decisions taken regarding possible technical checks. Three (3) team representatives maximum per car are permitted at any time unless otherwise directed by a series Technical official.

5.1.3.2 Team equipment is prohibited in Impound unless otherwise directed by a series Technical official.

5.1.3.3 Computers and/or electronic equipment are prohibited in Impound unless otherwise directed by a series Technical official.

5.1.4 It is the responsibility of the Driver or Entrant to prepare a car for inspection when requested to do so by the Technical Director or their assistant(s). Any expense incurred, except in the case of a protest, shall be the liability of the Entrant. Preparation of a vehicle for inspection must be performed in a timely manner as determined by the Technical Director.



Any part that does not comply with these Technical Regulations may be indefinitely retained by Competent Motorsport, LLC.

- 5.1.5 Admittance to any area in which inspections are being made is controlled by the Technical Director.
- 5.1.6 Each car entered must submit to Technical Inspection during scheduled hours.
- 5.1.7 Measurements under these Technical Regulations:
 - a. Both metric and English dimensions may be given. In such cases, when the two systems do not equate exactly, measurements for compliance during inspection will normally use the system most advantageous to the Entrant.
 - b. The Technical Director may establish tolerances for measurements taken during inspection; may require components on the car to fit Competent Motorsport, LLC templates, fixtures; may require Competent Motorsport, LLC monitoring/data collection devices to be fitted to a car.
- 5.1.8 Appearance: Clean and neat, no old damage.
- 5.1.9 Identification numbers must be placed on both sides, front and rear bumper. And must be legible to the satisfaction of the Race Director. Specific requirements may be provided in Event Supplementary Regulations. See Appendix 2
- 5.1.10 "Pirelli P-Zero" Racing Tires: Mandatory, unless Supplementary Regulations provide otherwise.
- 5.1.11 Fluid Leakage: Not allowed.
- 5.1.12 Driver Safety Equipment: see section 4.
- 5.1.13 Compliance with series sponsor advertising requirements is mandatory.
- 5.1.14 Mandatory Stickers:
 - a. All stickers must be applied in accordance with Appendix 2 prior to participation in the first on-track session.
 - b. All stickers must comply with the standards established by Competent Motorsport, LLC for the Pirelli GT3 Cup Trophy USA Series.



c. Cars found without Series required stickers during the event will not be eligible for competition. Stickers of other tire manufacturers, must be removed prior to the first on-track session.

5.2 Mandatory Safety Requirements

5.2.1 OE belts are strongly recommended. Competitors are responsible for ensuring that any seat, seat belt and mounting are compatible, properly installed, appropriate and safe for competition. Competent Motorsport LLC. may reject, at its sole discretion, any system that either does not meet the requirements or appears to be defective or inappropriate in any way. No warranty of safety, express or implied, shall result from inspection or approval of any system by Competent Motorsport, LLC.

5.2.1.1 Alternate belts must meet current FIA or SFI certification and must bear the label of certification. Belts must be specified by the manufacture as being compatible with the HANS device. A 6-point Driver's restraint system, lap belt and shoulder harness to FIA standard 8853-98 or SFI 16.5 is required.

Shoulder harness belts must be crossed for HANS device when not mounted directly behind the seat.

5.2.1.1.1 SFI CERTIFICATION - SFI tagged harnesses are punched with the month and year of manufacture. SFI certifications (16.1 & 16.5) shall expire on two years after the date of manufacture as indicated on the label. There should be three labels on each complete harness – one on a shoulder belt, one lap belt, and one sub-strap.

For example, a harness SFI-tagged with a manufacturing date of 4/2012 would expire at the end of April 2014.

5.2.1.1.2 FIA CERTIFICATION - FIA harnesses have tags printed by each manufacturer. FIA harness certifications are good for a period of 5 years from the date of manufacture. FIA harnesses may be used until December 31st of the year printed (or stamped) on the tag. There should be one FIA tag on each element of the harness.

For example, a harness FIA-tagged with an expiration year of 2018 would expire and the end of December 2018.

5.2.2 Stock OE seats are recommended. However, alternatives are permitted, provided that the following requirements are met:



- Seats: Only currently permitted FIA or SFI seats and mountings are permitted (FIA Sporting Code Appendix J, Art. 253.16) and such seats must bear the label of certification.
- The floor of the car must not be modified in any way and the original mounting holes must be used in all cases.
- The driver seat may be filled with FIA approved foam covered with fire-resistant material, to suit the driver's morphology.

5.2.3 SEATBACK BRACES - Seats homologated to and mounted in accordance with FIA standard 8855-1999 or higher need not have a seat back attached to the roll structure. The homologation labels must be visible. Seat supports shall be of the type listed on FIA technical list No.12 (lateral, bottom, etc.). Seats which have an expired FIA certification (over 5 years old) or do not have an FIA certification require seat back bracing, even if the back of the seat is very close to the horizontal roll cage tube.

- Should seat back bracing be required, it must be attached to the horizontal tube on the main hoop of the cage. Braces must either be bolted securely to the seat utilizing a metal plate of no less than 12 sq. inches to distribute the load, **OR**, if not bolted to the seat, a brace of similar minimum dimensions must be in contact with the seat back. Minimal energy absorbing padding is allowed between the brace and seat back. It is recommended that if not attached to the seat the brace be designed where possible to wrap around both sides of the seat to prevent lateral movement.

5.2.3.1 Diamond Class (type 991.2) and Platinum Class (type 991.1)

- Stock OE Recaro seat is required.
- The seat may be adjusted by removing or adding upholstery.
- Only PMNA approved padding may be used. Appendix 7
- The original mounting (seat rail and bracket) must be retained.

5.2.3.2 Silver Class (type Cayman MR) and Bronze Class (type Cayman Clubsport Trophy)

- Stock OE Recaro or OMP seat is required.
- The seat may be adjusted by removing or adding upholstery
- Only PMNA approved padding may be used. Appendix 7
- The original mounting (seat rail and bracket) must be retained.

5.2.4 Nets

Diamond and Platinum Class cars, Drivers net installation:



- Type 991 cars must use the Safecraft bullet release on left side net in conjunction with the required Porsche Motorsport mounting kit. Welding to the roll cage is prohibited.
- Installation of the net must be in contact with the head support and attached slightly inboard at the rear. Net must be installed with some tension.
- The upper strap of the net must be at or above the center of gravity of the helmet of the driver of the car.
- The net(s) must be dated by the manufacture and must be replaced per the manufactures specifications.

5.2.4.1 The installation of an "inside" or right side net is permitted and highly encouraged.

- Only safety nets meeting FIA 8863-2013 or SFI Spec 37.1 are permitted.
- Horizontal webbing shall face the driver, providing the smoothest surface for the helmet.
- Approved release mechanisms are the Safecraft bullet style, and approved FIA 8863 systems

5.2.4.2 If the driver's door window is removed a window net meeting FIA Specifications (FIA 8863-2013 or SFI 37.1) must be fitted.

5.2.5 All cars must be equipped with two master electrical circuit breakers, one accessible from inside (accessible by the Driver when normally seated and fitted with the mandatory safety harness), and the second outside the car, that control all electrical power (except electrically actuated fire systems).

The preferred outside location is the Drivers side cowl area. The circuit breakers must be clearly marked by a spark in a blue triangle.

5.2.6 All cars must have at least two operating red brake lights and two taillights. Amber brake lights will not be permitted. (During a competition, the Race Director may accept one functioning headlight, one functioning taillight and one functioning brake light due to damage or equipment failure).

5.2.7 Headlamp tape. One strip of 70mm x25mm clear tape on the top of each lamp.

Colored Class head lamp covers required:

Diamond Class: Clear



Platinum Class: Blue

Gold Class: Green (as 2017)

Sliver Class: Clear

Bronze Class: Yellow (as 2017)

Head lamp covers are available from Laminx - Call Jeff at 706-955-0677 or email jeff@lamin-x.com for precut kits.

- 5.2.8 Two external rear-view mirrors must be installed. Minimum dimension of each external mirror: 100 cm².
- 5.2.9 Safety fuel cell meeting FIA Spec FT-3 is permitted and highly recommended.
 - Note: FIA-FT3 specification requires that the fuel cell bladder be recertified/renewed every 5 years
- 5.2.9.1 If fitted, the fuel cell must be mounted outside the Driver's compartment, separated by firewalls, flame and leak proof, and protected as far as practicable by the roll cage. Steel or steel braided fuel lines with appropriate fittings, fuel cell check valve, and vent line check valve are mandatory.
- 5.2.10 Hoods, deck lids and movable body sections must be secured with supplemental pins or fasteners. Latches / locks must be deactivated.
- 5.2.11 Supplemental pins used to secure movable body sections (such as hoods, doors, fenders, lids and removable tops) must have attaching cables to prevent accidental loss of pin.
- 5.2.12 No concealed pressure type containers, feed lines or actuating mechanisms are permitted, even if inoperable.
- 5.2.13 Full roll cages of approved design are mandatory. Material and construction specifications and recommended designs are contained in FIA Sporting CODE, Appendix J, Article 253, Section 8 and in these rules. Competitor must be prepared to drill inspection hole(s) in the roll structure for verification.
- 5.2.14 A fire suppression system is required and must be in certified working order at all times. The on-board fire suppression system must be Porsche stock or of a size and an approved extinguishing material that is in accordance with the FIA Sporting CODE, Appendix J, Article 258A.15.1, or equivalent Competent Motorsport approved equivalent. Trigger must be marked with a red circle with the letter "E" and be operable by the Driver and also from outside the car. Outlets must be directed into the Driver,



engine and fuel compartments. Fire system batteries to be "Fresh". To be inspected at Technical Inspection.

- 5.2.15 All cars must be fitted with one front and one rear towing eye, painted red, accessible without the use of tools and be clearly marked with a red arrow on a white background. They must be securely fitted to the chassis of the car by means of a metallic rigid element (cable loops are forbidden). They must be strong enough to allow recovery of a car lying on its flat bottom in a gravel bed. Should the towing eye break, the track marshals will pull the car to a safe position using any element of the chassis or of the bodywork whatsoever, which they consider strong enough, and the car may be excluded from the race. In the event that a car is damaged as a result of these actions, Competent Motorsport, LLC will accept no responsibility for any damage caused, however it may have been caused.
- 5.2.16 In all cases, the Driver must be able to easily exit the car through both the Driver side and the passenger side in an emergency.
- 5.2.17 An on-board starter and energy source must remain functional at all times, except when deactivated in an emergency by the master electrical circuit breaker.
- 5.2.18 An "arrow" sticker denoting tow hook location.
- 5.2.19 If the Technical Director determines prior to the race that a car does not meet the applicable specifications, the car will not be allowed to compete unless, in the discretion of the Technical Director, the deficiency
- Will not affect safety;
 - Cannot be corrected in time for qualifying or the race (if no qualifying);
 - Will not provide the competitor a significant competitive advantage over other competitors;
 - Is so insubstantial as not to warrant a determination that the car is ineligible to race.
- 5.2.20 If the Race Director permits the car to compete under these circumstances, the Technical Director will apprise the competitor in writing of the deficiency, and the car will be prohibited from competing in any future Events if the deficiency has not been corrected.



6. Eligible Engines & ECU's

- 6.1 The engine must be stock. As delivered from PMNA or Porsche AG.
 - 6.1.1 The engine must be originally sealed by PMNA or Porsche AG.
 - 6.1.2 Engines must remain sealed and retain all markings affixed by PMNA or Porsche AG.
 - 6.1.3 The competitor is responsible for the state of the seals and their presence at all times.
 - 6.1.3.1 Missing or deteriorated seals will be considered an infringement of these Regulations.
 - 6.1.4 All repairs and internal maintenance operations must be performed by PMNA. Any intrusion into the engine is forbidden.
 - 6.1.5 Engine oil: Mobil 1 0W- 40 engine oil
 - All engine oil additives are strictly PROHIBITED
- 6.2 The entire exhaust system must remain stock, including interior and tail pipes.
- 6.3 Replacement of the engine must be reported immediately to the Technical Director in writing. If the engine is changed following Qualifying, the car must start the race from the back of the grid.
- 6.4 Engine Control Units OE as supplied by PMNA or Porsche AG.
- 6.5 Only the stock Engine Control Units (ECUs) with PMNA programming are permitted. Tampering with or re-programming of the ECU is strictly prohibited. Except as provided for herein, no additional electronics may be installed between the ECU and the engine. The wiring harness must remain stock.
 - 6.5.1 ECUs may be sealed to the connectors at Technical Inspection Tampering with or breaking the affixed seals is prohibited. Only Series officials or authorized Porsche Motorsports technicians may break the seals, which must then be replaced by the Series.



- 6.5.2 ECUs are subject to random seizure and replacement at any time by Series officials.
- 6.5.3 Authorized Porsche Motorsport and Series officials may access and inspect the ECU programming at any time during the Event.



7. Drive Train

7.1 Transmission – Stock. Sealed by PMNA, Porsche AG or Competent Motorsport, LLC officials.

7.1.1 Transmission gear oil:

- **Diamond and Platinum Class cars:** Mobil Delvac/ SHC1, 75W-90, Quantity 3 liters
- **Gold Class cars:** Mobil 1 Delvac/ SHC1, 75W-90, Quantity 3,78 liters
- **Silver and Bronze Class cars:** Transmission final drive is Mobilube PTX 75W-90. Clutch/ gear fluid is Pentosin FFL
- All transmission gear oil additives are strictly PROHIBITED.

7.1.2 Transmissions may be sealed at Technical Inspection. Tampering with or breaking the affixed seals is prohibited. Only Series officials or authorized Porsche technicians may break the seals, which must then be replaced by the Series, or PMNA, Porsche AG.

7.1.3 Gear Ratios

- All **Diamond and Platinum Class** cars. 2013-2018

Gear#	Ratio
1st	13/41
2nd	17/40
3rd	19/36
4th	19/29
5th	24/30
6th	34/35

- All **Gold Class** cars have the option to run the 2010 gears or the 2011 - 2013, 997.2 GT3 Cup gears (complete sets) as delivered.

Gear #	2010 Ratio	2011-2013 Ratio
1st	12/38	12/38
2nd	15/32	15/32
3rd	18/31	18/31
4th	23/31	20/28
5th	26/29	23/26
6th	29/27	29/27



- All **Silver** and **Bronze Class** cars

Gear#	Ratio
1st	43/11
2nd	55/24
3rd	43/26
4th	43/33
5th	40/37
6th	37/24
Constant	47/41
Ring and pinion shaft	39/12

7.2 Differential - Stock OE.

- Torque break testing at the discretion of the Technical Director at events.
- Must be sealed together with the transmission by PMNA, Porsche AG or Series Officials.

7.3 Clutch – Stock OE.

7.4 CV Joints and Axle – Stock OE.

7.5 “Blipper”

- **Diamond Class** (type 991.2) **Platinum Class** (type 991.1)
GT3 Cup Cars are equipped with the OE Blipper.
- **Gold Class** (type 997.2)
GT3 Cup cars may be fitted with the Porsche “Blipper”
Part #'s:
Blipper 997.423.073.90
Bracket 997.424.237.91
Throttle Cable 997.423.221.9C

7.5.1 All 2011 - 2013 911 GT3 Cup cars are supplied with a Porsche “Blipper” and Throttle Cable in the spares kit. The existing Bracket installed in the car already has the necessary mounting holes for the Blipper.

7.5.2 2010 cars need to replace the existing bracket with bracket 997.424.221.9C



7.5.3 PMNA has to reprogram the ECU with a new file before the cars are run with the Porsche Blipper installed.

7.6 Gear Change

- **Diamond Class** (type 991.2) **Platinum Class** (type 991.1)
GT3 Cup Cars are equipped with the OE Paddle Shift System.
- **Gold Class** (type 997.2)
The use of a paddle shift system may be permitted in Gold class with approval from Competent Motorsport, LLC. Competent Motorsport, LLC shall regulate software, hardware, plumbing configuration and wiring harness for all approved installations. It is permitted to maintain the existing manual shift mechanism.
- **Silver Class** (MR) **Bronze Class** (Clubsport)
Cayman GT4 Cars are equipped with the OE Paddle Shift System.

8. Suspension

8.1 May be adjusted within existing tolerances except where these Regulations specifically prohibit. All original parts must be retained in their original mounting positions.

8.2 Shock Absorbers (dampers)

- **Diamond Class:**
 - Only the OE front and rear Sachs shock absorbers (dampers) in their original condition and mounting position may be used.
 - Front damper, part# (9913430458D)
 - Rear damper, part# (9913330518A)
 - OE bump stops, part# (9913336778A)
- **Platinum Class:**
 - Only the OE front and rear Sachs shock absorbers (dampers) in their original condition may be used.
 - Front damper, part# (9913336778A)
 - Rear damper, part# (9913330518A)
 - OE bump stops, part# (991336778A)
 - All parts must be retained in their original mounting positions.



- **Silver Class:**
 - Only the OE two-way adjustable front and rear dampers in their original condition may be used.
 - Front LH damper, part# (MTH34055), RH damper, part# (MTH343056)
 - Rear LH damper, part# (MTH333061), RH damper, part# (MTH333060)

- **Bronze Class:**
 - Only the OE non-adjustable Trophy Kit Spec. front and rear dampers in their original condition may be used.
 - Front damper, part# (MTH343045)
 - Rear damper, part# (MTH333051)

- **Gold Class:**
 - Any damper that fits in the Stock position is permitted. No modification of the mounting points or mounts is permitted.
 - Open to any adjustable shock. Competent Motorsport, LLC may require removal of shocks for testing.
 - Remote reservoirs are permitted, however, must be mounted without further modification to the car.

8.3 Anti-Roll Bars

- **Diamond Class and Platinum Class:**
 - Cars must use stock OE Front and Rear Anti-Roll Bars.
 - May be disconnected but no parts removed.
 - May be adjusted using only OE range of adjustment holes.

- **Gold Class:**
 - Model Year 2010 – 2013 Cars must use Front (997.343.171.92 and Rear (997.333.171.91) anti-roll bars.
 - May be disconnected but no parts may be removed.
 - May be adjusted using stock range of adjustment holes.

- **Silver Class:**
 - Cars must use OE Bladed Front, part# (MTH343738 with blade MTH343725) and Standard Rear, part# (981.333.705.80) Anti-Roll Bars.

- **Bronze Class:**
 - Cars must use OE Standard Front, part# (981.343.701. 8A) and Rear, part# (981.333.705.80) Anti-Roll Bars



8.4 Springs

Stock OE main and helper must be used. All parts must be retained in their original mounting positions.

- **Diamond Class:**
 - Stock OE only H&R chassis springs in their original condition may be used. The installation of any alternative chassis springs is prohibited.
 - Front chassis spring, part# (9913435318C/ 99634353790)
 - Rear chassis spring, part# (9973353790/ 9913335318C)
- **Platinum Class:**
 - Stock OE only H&R chassis springs in their original condition may be used. The installation of any alternate chassis springs is prohibited.
 - Front chassis spring, part# (9913435318C /99634353790)
 - Rear chassis spring, part# (99733353790/ 9913335318C)
- **Gold Class:**
 - Front chassis spring, part# (99734353190/ 99634253790: 100/60/260 & 75/60/43)
 - Rear chassis spring, part# (99633353190/ 99733353790: 130/60/260 & 80/60/60)
- **Silver Class:**
 - Only OE chassis springs in their original conditions may be used.
 - Front chassis spring 130Nm, part #(MTH34350)
 - Rear chassis spring 130Nm, part# (MTH333534)
- **Bronze Class:**
 - Only OE chassis springs in their original conditions may be used.
 - Front chassis spring 140Mn, part# (MTH343531)
 - Rear chassis spring 150Nm, part# (MTH333531)

8.5 Ride Height (**Appendix 3**)

- **Diamond Class and Platinum Class:**
 - 78mm (minimum) Front Axle
 - 100mm (minimum) Rear Axle



- **Gold Class:**
 - 77mm (minimum) Front Axle
 - 115mm (minimum) Rear Axle
- **Silver Class:**
 - 75mm (minimum) Front Axle
 - 94mm (minimum) Rear Axle
- **Bronze Class:**
 - 79mm (minimum) Front Axle
 - 105mm (minimum) Rear Axle

8.5.1 Ride height of vehicle is measured “ready to race” including driver’s weight and Dry-Type (slick) tires. see Appendix 3. The ride height must only be changed within the existing OE adjustment range.

8.5.2 Ride height may be measured at any time during the Event. The steering wheel must be straight when measuring ride height.

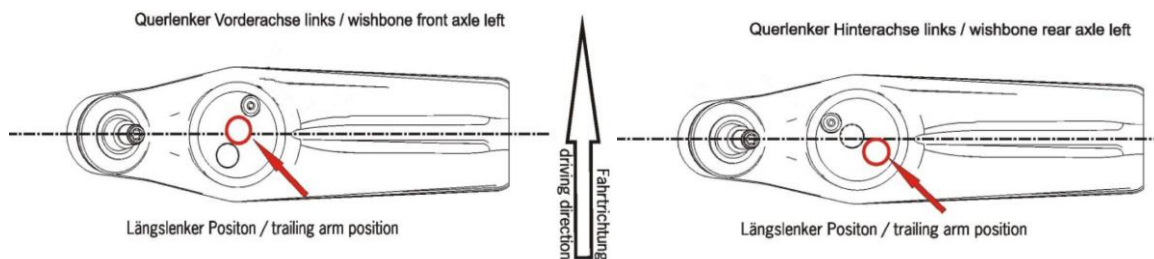
8.5.3 Ride height is measured with required Dry- Type (slick) tires with a tire pressure of 29 psi ± 1.5 psi.

8.5.4 Ride height is measured for the front axle at: See Appendix 3

8.5.5 Ride height is measured for the rear axle: See Appendix 3

8.6 The trailing arm axle bearing points of the front and rear wishbones must be left in the Stock position. The screw positions of the trailing arms at the wishbone bearing points may be altered within Stock range of adjustment only.

8.6.1 Lower control arm: All components of the lower control arm including trailing arm trailing arm bearing mounting position must remain in original OE position. See **Appendix 4**





- 8.7 Suspension Adjustment: The suspension may be adjusted within the scope of the specified OE settings. All genuine OE parts must be retained without modification.
- 8.8 The maximum spacer washer thickness in the front and rear axle control arms are:
- **Diamond Class, Platinum Class, Silver Class and Bronze Class:**
 - Front Axle: 18mm
 - Rear Axle: 15mm
- 8.9 Camber/ Tire Pressure
Camber and/ or Tire pressure guidelines may be communicated by the tire manufacture or series officials.
- 8.10 Wheelbase: Measured from the center of the Front hub to the center of the Rear hub at Ride Height
- **Diamond Class:** 2456mm +/- 15mm
 - **Platinum Class:** 2460mm +/- 15mm
 - **Gold Class:** 2355mm +/- 10mm
 - **Silver and Bronze Class:** 2476mm +/- 10mm

9. Dash and Data Collection

- 9.1 Must utilize stock OE dash and data logging system as supplied with vehicle. No substitutions are permitted.
- **Diamond Class and Platinum Class:**
 - Data logging system only: Cosworth ICD and IPS with series approved Software set up, stock OE.
 - Diamond class approved set ups:
IPS_CUP17_0401_S_V01_en.Toolset and
ICD_CUP17_0303_S_v05.Toolset
 - **Gold Class:**
 - Data logging system: MoTeC, ADL2 Dash Manager V4.5114 Software
 - **Silver Class and Bronze Class:**
 - Data logging system: MoTeC, C125 or C127;
 - Dash Manager V6.02F2 Software



9.2 Data collection permitted, however:

- Permitted sensors are those listed in Porsche technical manual: The sensors delivered on the car from Porsche AG, PMNA, are the **only** ones allowed. No additional sensors
- GPS sensors are permitted.
- All other sensors are prohibited, including, but not limited to shock pots. No other sensors are permitted, connected or disconnected, attached to the car.
- Wireless (radio, IR, mobile device or any other method) transmission of data to or from the car is prohibited.

10. Fuel

10.1 All cars must use unleaded fuel as prescribed by Porsche AG/PMNA

- The allowed fuel is 97 octane to 101 octane unleaded race fuel (examples: Sunoco 260 GTX, VP 100 ad VP 101).
- All fuel additives are strictly Prohibited.
- Fuel testing samples may be collected, at the discretion of the Technical Director, at any time during the event.

11. Windows

11.1 Front and rear windows must remain stock OE. Damaged or Cracked windshields must be approved by the Technical Director prior to track use.

11.2 Side door windows must remain stock OE, with the following exceptions:

- Driver's door window may be removed and replaced with a window net meeting FIA Specifications (FIA Art. 253.11 or SFI 27.1) If air conditioning unit is inoperable at the event.
- Passenger side door window may be removed with no window net required.



- A NACA duct may be installed on the side window for the purpose of cooling the driver. Maximum of 1 per side with 2 ducts permitted per car. Ducts must be translucent.

11.3 Stock rear side windows may be modified with air scoops or holes, but a minimum of 1" or the original border of the window must be retained Gold Class only

- **Diamond and Platinum Class** Stock OE with no modifications allowed.
- **Silver and Bronze Class** Stock OE with no modifications allowed.

12. Brakes and Brake Pads

12.1 Porsche OE brake systems, including **calipers, disc's, master cylinders and pads** must be stock OE parts as delivered for the model year of the car.

12.2 Cars must utilize the stock OE master cylinder(s) in the stock OE position(s) (front and rear).

13. Weight

13.1 The minimum weight of car, with driver properly attired in required racing equipment, will be as follows at all times during the Event:

- **Diamond, Platinum and Gold** classes: 2855 lbs.
- **Silver** class: 3055 lbs.
- **Bronze** class: 3130 lbs.

13.2 Ballast

- Any ballast must be carried in a PMNA ballast box. Using only original Porsche ballast components. The ballast must be installed in the designated fixing points in the position of the passenger seat area. This is the only approved location for ballast to be added. See **Appendix 8**
- Driver comfort systems (ice chest) must be placed in passenger seat ballast area or on the passenger floor board.
- No weight may be removed from the stock structure of the car and placed in the ballast box. Ballast box and weight plates must be purchased from PMNA.



14. Wheels

14.1 Diamond, Platinum, Gold, Silver and Bronze classes:

- Stock OE, BBS and APP wheels
- **Diamond and Platinum Class wheels:**
 - Front: BBS 10.5"x 18" w/28mm OS, part# (991.362.131.8A)
 - Rear: BBS 12"x 18" w/53mm OS, part # (991.362.151.8A)
- **Gold Class wheels:**
 - Front: BBS 9.5"x 18" w/37mm OS, part# (99736213696)
 - Rear: BBS 12"x 18" w/30mm OS, part# (99736214097)
 - APP wheels of the same size and OS may be used
- **Silver and Bronze Class wheels:**
 - Front: BBS 9"x 18" w/41mm OS, part# (MTH362131) or APP part# (981.362.131.8A.)
 - Rear: BBS 10.35"x 18" w/ 47.4mm OS, part# (MTH362141) or APP part# (981.362.151.8A)

15. Tires

15.1 The specified (spec) tire of the Series is the "Pirelli P-Zero Slick". Tires for the Series may only be obtained from the authorized distributor:

Bob Schaefer
Frisby Performance Tire
702-433-7390
bschaefer@frisbyracetire.com

Tires must be ordered from Frisby Performance Tire two weeks prior to Event.

15.2 Tires used during any official Event session must be the spec tire of the Series. Allowed are three (3) sets of Dry tires "Slicks" for a two (2) race event. All tires for the event to be used for Qualifying and Race must be Stamped by series officials or Pirelli staff. Practice session tires do not require Stamping. Replacement tires must be approved by the Technical Director.

15.3 The number of wet tires used during an Event is not limited; however, competitors must use only the approved Pirelli wet tire. Tires are subject to inspection for compliance at any time, at the option and sole discretion of the Technical Director.

15.4 If a race is officially declared a "wet race" prior to the start, competitors must use only the approved Pirelli wet tire for the race unless otherwise



instructed by the Race Director. This also applies to a declared “wet” qualifying session.

- 15.5 Tire warmers are prohibited; grooving of or otherwise modifying dry or wet tires is prohibited; Chemical treatment of tires is prohibited; tire pressure control valves are prohibited.
- 15.6 Any action designed to alter the tires as supplied, or to use alternate tires, is prohibited.

16. Miscellaneous

16.1 Towing eyes

Front and rear towing eyes supplied with the car must be properly mounted and marked.

16.2 Steering wheel

May be stock or changed, so long as it is continuous and round. Quick disconnects & Hub extensions permitted.

16.3 Exhaust

- Stock OE required for all classes
- Additional mufflers may be required to meet local ordinances. Turn outs are allowed

16.4 In-Car Cameras

- Mandatory, however: Competent Motorsport, LLC must approve camera and mounting which must be metallic and attached directly to roll cage.
- Competent Motorsport, LLC has right to impound footage from competitors at the discretion of the Race Director at any time during the event.
- Cameras Must be able to record a complete race distance.

16.5 Pit to Car Voice Radios

- Required in all phases of competition.
- All competitors are required to monitor Competent Motorsport Race Control frequency, 461.2000 DPL 432 (Appendix 10)
- At all times that the Car is on the racetrack, a minimum of one (1) team member in the Pit Box must have radio communication with the Driver. At all times during a Session, a minimum of one (1) team member in the Pit Box must monitor the published Race Control frequency.



16.6 Battery: Stock OE

- Must remain in stock location.
- Must be securely mounted.

16.7 Wheelbase

- Wheelbase may be measured; this measurement will be from the center of the rear hub to the center of the front hub at Ride Height.

16.8 Transponders

- Transponders must be mounted inside the front right fender well.

16.9 Driver Comfort Systems:

- Driver cooling and/or fresh air systems are permitted. Type and installation subject to Competent Motorsport, LLC approval. ice chest must be placed in the passenger seat ballast area or on the passenger floorboard.
- Driver drink systems are permitted.

16.10 Aerodynamic Aids

- **991.1**

16.10.1 The use of clear or black tape to cover the central cooler, affixed to the radiator opening screen, in horizontal line to regulate the water temperature is permitted. Provided the central cooler is completely taped, additional tape may be added in similar horizontal and symmetrical fashion to the left and right-side coolers. Otherwise the taping over of body slots and openings is not allowed.

16.10.2 With the exception of what is stated in section V15.7 5.2.7 of the Technical Regulations, the use of tape to cover any mechanical components or adjustments is prohibited.

- **991.2 and 981**

16.10.3 The use of tape or any material to cover the radiator openings is prohibited. Taping over of body slots and openings is not allowed.

16.10.4 With the exception of what is stated in section V15.7 5.2.7 of the Technical Regulations, The use of tape to cover any mechanical components or adjustments is prohibited.



17. APPENDIX 1 - Equivalence Formula

- 1 inch = 2.54 centimeters = 25.4 millimeters
- 1 millimeter = 0.1 centimeters = 0.03937 inches
- 1 foot = 12 inches = 0.3048 meters
- 1 meter = 3.28 feet = 1.0936 yards
- 1 mile = 1760 yards = 5280 feet = 1.60934 kilometers
- 1 kilometer = 1000 meters = 1093.6 yards = 0.62137 miles
- 1 square inch = 6.45 square centimeters
- 1 cubic inch = 16.387 cubic centimeters
- 1 cubic centimeter = 0.061 cubic inches
- 1 U.S. gallon = 4 U.S. quarts = 231.18 cubic inches = 3.785 liters
- 1 liter = 1000 cubic centimeters = 61.0255 cubic inches = 0.264 U.S. gallons
- 1 pound = 16 ounces = 453.592 grams
- 1 kilogram = 1000 grams = 2.2046 pounds
- 1 mile per hour = 1.467 feet per second = 1.60934 kilometers per hour
- 1 kilometer per hour = 0.62137 miles per hour
- Cylinder volume (displacement) = $3.1416 \times \text{bore}^2 \times \text{stroke} \times 4$
- Engine displacement = Cylinder volume x number of cylinders
- Weight of gasoline = 6.3 pounds per gallon Sunoco 260GTX
- Atmospheric pressure = 29.92" HG = 14.7 P.S.I. = 1.01 Bar
- 1 Bar = 14.5 P.S.I.
- Average speed formula = $\frac{3600 \times \text{length of track} \times \text{number of laps}}{\text{Total time in seconds}}$
 - Total time in seconds



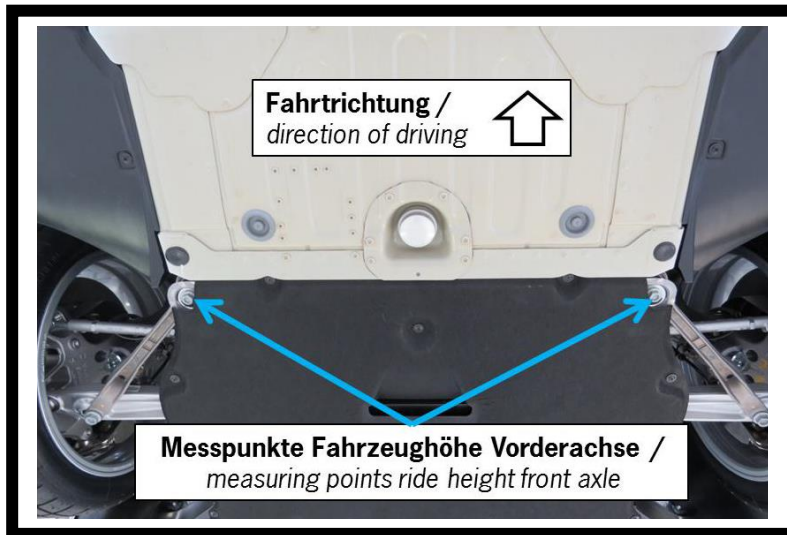
18. APPENDIX 2 - Mandatory Sticker Placement

All cars must carry the mandatory Series Stickers in the locations detailed below and on the corresponding illustrations.

19. APPENDIX 3 - Minimum Ground Clearance

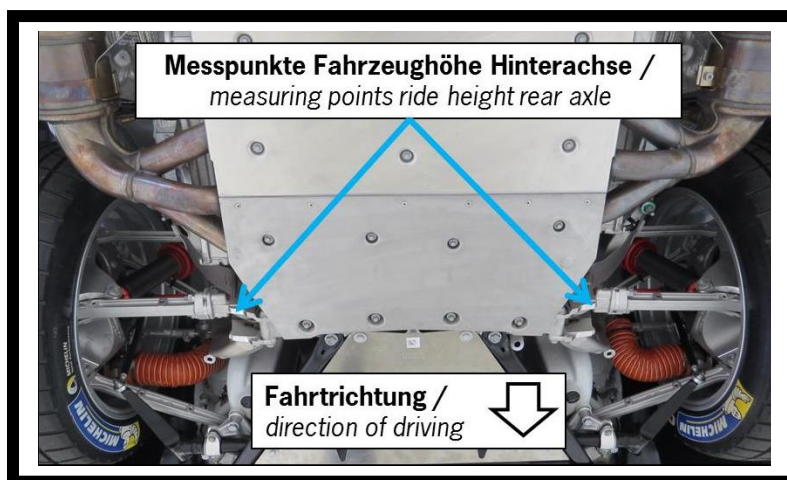
- Diamond Class
- Platinum Class
- Gold Class

Minimum ground clearance (Ride Height) of front axle measurement point.



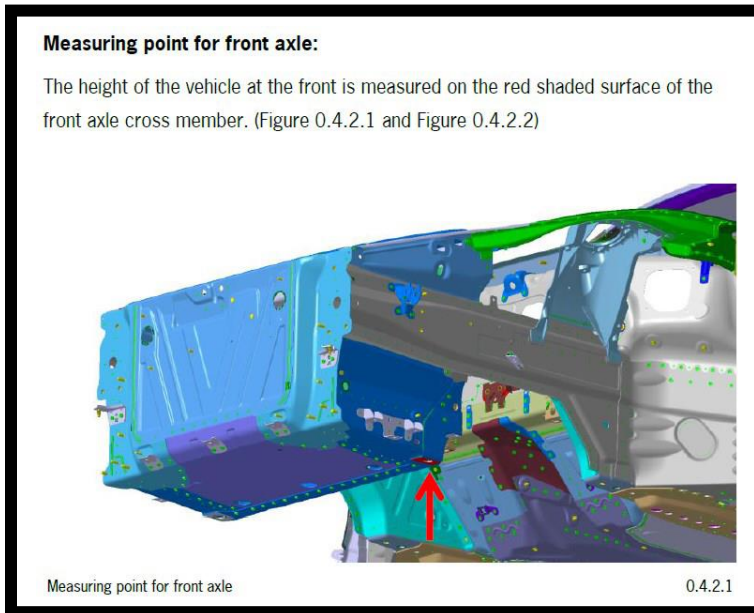
- Diamond Class
- Platinum Class
- Gold Class

Minimum ground clearance (Ride Height) of rear axle measurement point



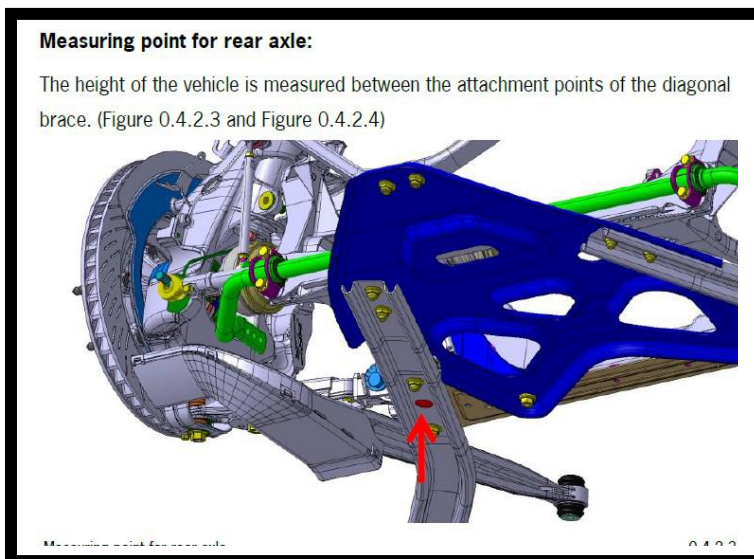
- Silver Class
- Bronze Class

Minimum ground clearance (Ride Height) of front axle measurement point.



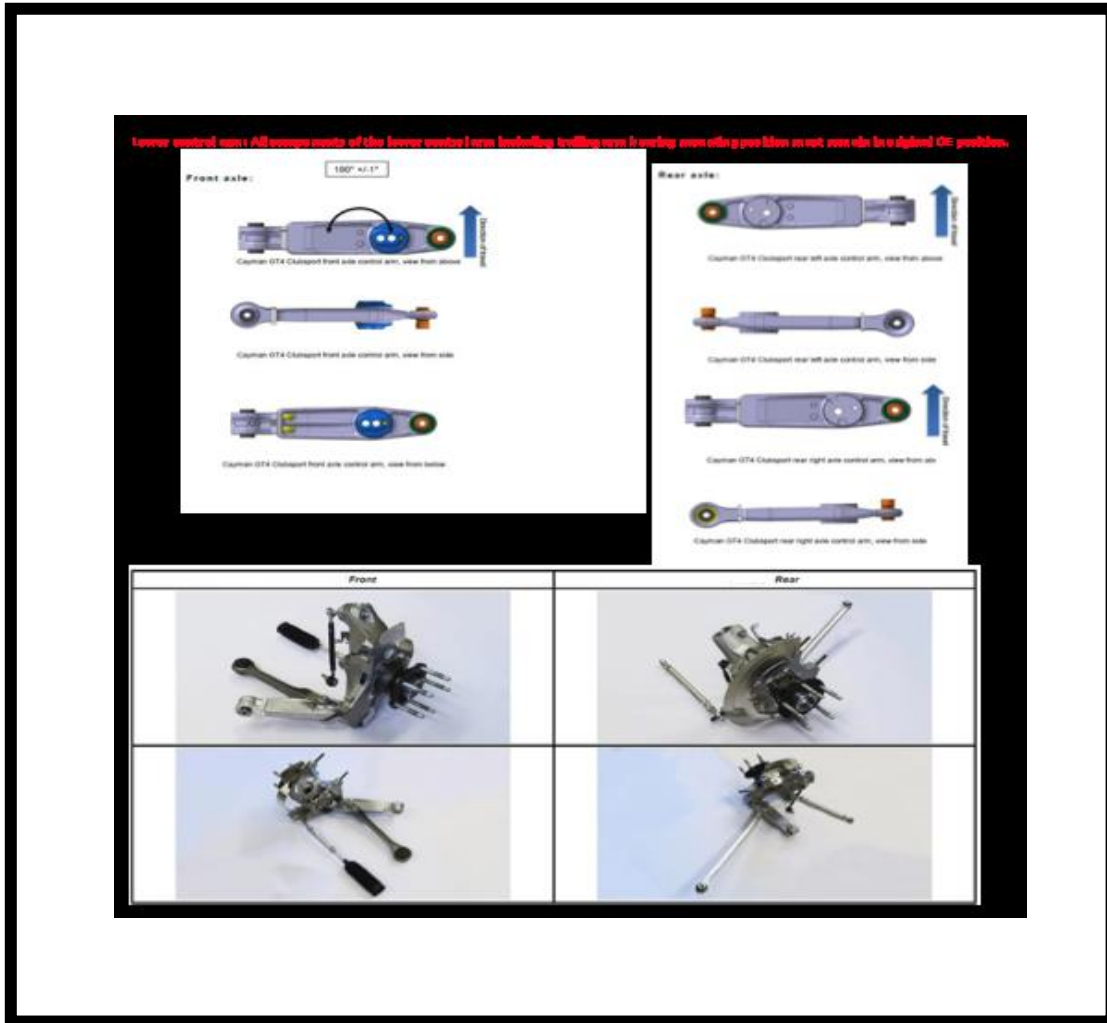
- Silver Class
- Bronze Class

Minimum ground clearance (Ride Height) of rear axle measurement point.





20. APPENDIX 4 - Lower Control Arm Components





21. APPENDIX 5 - Cayman GT4 Clubsport MR Update

- 1. The following kit, to be purchased complete (not a la carte) from PMNA is to allow for the updating of a Cayman GT4 Clubsport Trophy Kit car to Cayman GT4 Clubsport MR spec for 2018 Season.**
- 2. A car with this update kit will compete as a Silver Class car.**
- 3. The Cayman GT4 Clubsport 70-liter or 100-liter Fuel cell is allowed.**
- 4. The 90-liter road car fuel "Tank" is PROHIBITED.**

The Kit to include:

Complete MR kit, part# (PMNMTHGT4CSMR-KIT)

Lightweight body kit:

- Carbon fiber doors, RH door, part# (MTH837300) LH door, part# (MTH837301) Both complete minus mirror
- Carbon fiber front lid, part# (MTH823300)
- Polycarbonate Windscreen, part# (MTH541911)

Larger Rear wing and adjustable mounts:

- MR wing, part# (MTH512792)
- RH mount, part# (MTH512684) RH MR wing upright, part# (MTH512682)
- LH mount, part# (MTH512683) LH MR wing upright, part# (MTH512681)

Adjustable Front Anti-roll bar:

- FARB, part# (MTH343738) blade, part# (MTH343725)

Double adjustable Front and Rear dampers:

- Complete kit, part# (MTH02240)

Dual Master Cylinder with balance bar adjuster:

- Dual master cylinder, part# (991.355.170.8E or 8C) Brake bias adjuster, part# (MTH641809) in car adjuster with cable.

10MM Axle shaft spacer, part# (MTH332527) allowed and recommended on Bronze Trophy Cars.

The MR can be equipped with the optional Motorsport Slider side window from PMNA. Only the homologated slider is to be used.



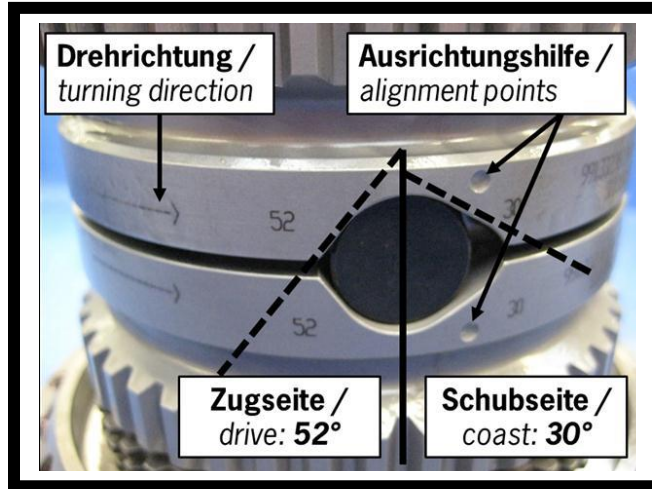
Silver and Bronze Class allowed options:

- OMP Seat, part# (997.521.037.92)
 - Recaro Seat, part# (991.521.281.8A)
 - Front chassis rub blocks
 - Steering wheel spacer, part# (MTH347810)
 - Steering wheel adaptor plate, part# (MTH47805) adds an extra button
 - LH side vent intake screen, part# (MTH541561)
 - RH side vent intake screen, part# (MTH541562)
 - Ignition Coil heat shields- adapted from Road car
 - 70 Liter or 100 Liter fuel cell
 - Dual Master Cylinder kit allowed on Bronze class cars
 - Both wheel options allowed- Run as a set only
 - LH cat-less exhaust manifold, part# (981113211B)
 - RH cat-less exhaust manifold, part# (9811132128B)
1. Cars can be optioned with or without air jacks
 2. The optional "Hand Held" fire bottle system is PROHIBITED. Plumbed in PMNA legal systems required.
 3. The auxiliary lights in the front bumper, are allowed, but not recommended.
 4. Air Conditioning is optional, but the AC condensers must remain in place





22. APPENDIX 6 - Diamond & Platinum Class Differential Drawing



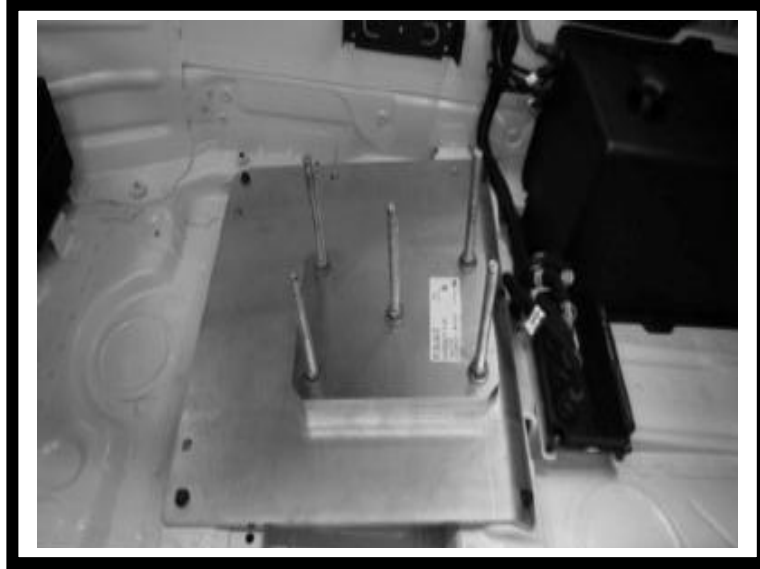


23. APPENDIX 7- OE Recaro Seat Padding





24. APPENDIX 8 - Approved Ballast location





25. APPENDIX 9 - Series Driver and Team Overall Patches



Suggested Patch Locations



WE STAND FOR SAFETY AND QUALITY



26. APPENDIX 10 - Radio Frequencies

- CHANNEL RX-FREQ TPL CODE
- Race Control (Primary) **461.2000 DPL432**